

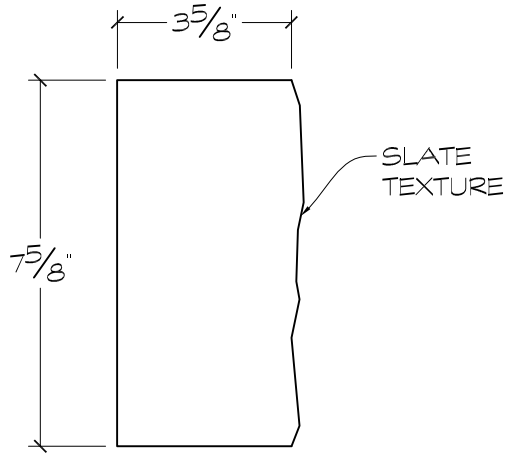
Harvey Cement Products, Inc.

Since 1947

16030 Park Avenue, Harvey, IL 60426

Ph: 708.333.1900 F: 708.333.1910

www.harveycement.com



CROSS SECTION

1 **PROFILE HP**  
ARCH REF:  
SCALE: 3"=1'-0"

Profile ID

HP

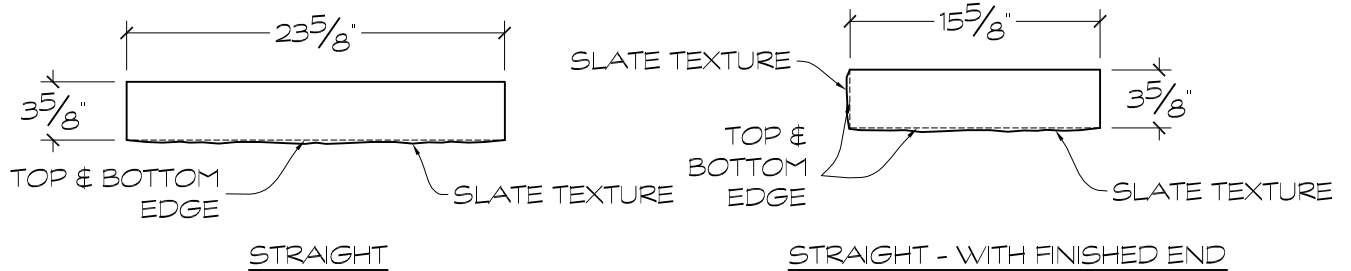
**SUGGESTED USE**

Sill	
Transition Band	
Coping	
Cap	
Band	X
Field	X

**TYPE / SIZE AVAILABILITY**

TYPE	LENGTH(S)
Straight	23 <sup>5</sup> / <sub>8</sub> "
Finished End	15 <sup>5</sup> / <sub>8</sub> "

TOP VIEWS



STRAIGHT

STRAIGHT - WITH FINISHED END